

JVC

SERVICE MANUAL

VIDEO CASSETTE RECORDER

HR-S6856EK/S6857EK



SVHS⁶²⁵ *Hi-Fi*
Super VHS ET
VIDEO Plus+[®]
DELUXE

Regarding service information other than these sections, refer to the HR-S6855EK service manual (No. 82856). Also, be sure to note important safety precautions provided in the service manual.

SPECIFICATIONS *(The specifications shown pertain specifically to the model HR-S6855EK/S6856EK/S6857EK)*

GENERAL

Power requirement	: AC 220 V – 240 V ~, 50 Hz/60 Hz
Power consumption	: on : 22 W off : 3.8 W
Operating Temperature	: 5°C to 40°C
Storage Temperature	: -20°C to 60°C
Operating position	: Horizontal only
Dimensions (WxHxD)	: 400 mm x 94 mm x 278 mm
Weight	: 3.6 kg
Format	: S-VHS/VHS PAL standard
Maximum recording time :	
(SP)	: 240 min. with E-240 video cassette
(LP)	: 480 min. with E-240 video cassette
(EP)	: 720 min. with E-240 video cassette

VIDEO/AUDIO

Signal system	: PAL-type colour signal and CCIR monochrome signal, 625 lines/50 fields
Recording system	: DA ₄ (Double Azimuth) helical scan system
Signal-to-noise ratio	: 45 dB
Horizontal resolution	:
(SP/LP)	: 250 lines (VHS) 400 lines (S-VHS)
(EP)	: 220 lines (VHS) 350 lines (S-VHS)
Frequency range	: 70 Hz to 10,000 Hz (Normal audio) 20 Hz to 20,000 Hz (Hi-Fi audio)
Input/Output	: 21-pin SCART connectors (IN/OUT x 1, IN/DECODER x 1) RCA connectors (VIDEO IN x 1, AUDIO IN x 1, AUDIO OUT x 1) S-Video connectors (IN x 1)

TUNER/TIMER

TV channel storage capacity	: 99 positions (+AUX position)
Tuning system	: Frequency synthesized tuner
Channel coverage	: VHF 44.5 MHz – 143 MHz/ 143 MHz – 470 MHz/ UHF 470 MHz – 862 MHz
Aerial output	: UHF channels 22 – 69 (Adjustable)
Memory backup time	: Approx. 10 min.

ACCESSORIES

Provided accessories	: RF cable, Satellite Controller, Infrared remote control unit, 'AA' battery x 2
----------------------	--

Specifications shown are for SP mode unless otherwise specified.
E.& O.E. Design and specifications subject to change without notice.

The following table indicate main different points between models HR-S6855EK, HR-S6856EK and HR-S6857EK.

ITEM	MODEL	HR-S6855EK	HR-S6856EK	HR-S6857EK
FRONT PANEL window color		CLEAR	GREEN	BLUE

The following tables indicate different parts number between models HR-S6855EK, HR-S6856EK and HR-S6857EK.

PACKING AND ACCESSORY ASSEMBLY <M1>

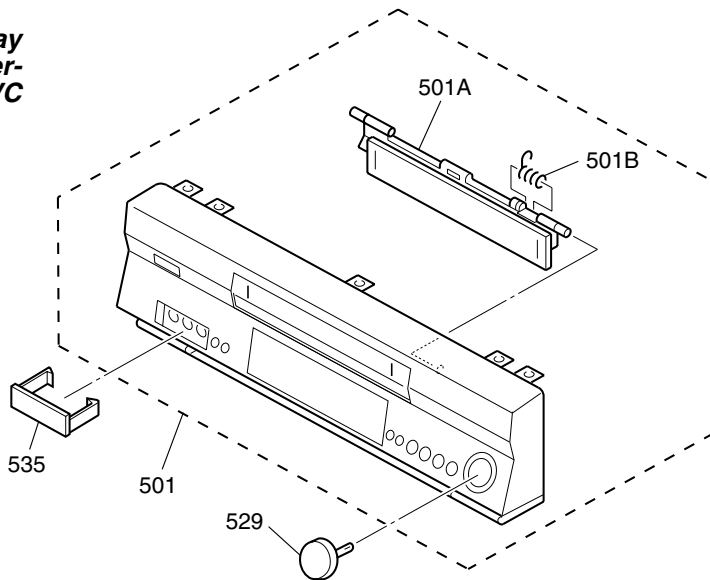
REF. NO.	ITEM	MODEL	HR-S6855EK	HR-S6856EK	HR-S6857EK
315	CAP(JACK)		LP30809-001B	*—	*—

FINAL ASSEMBLY <M2>

REF. NO.	ITEM	MODEL	HR-S6855EK	HR-S6856EK	HR-S6857EK
501	FRONT PANEL ASSY		LP10333-017E	LP10333-051D	LP10333-052D
501A	CASSETTE DOOR		LP20961-007B	*LP20961-007C	*←
529	KNOB ASSY		LP31019-001C	*LP31019-001D	*←
535	CAP(JACK)		—	*LP30809-001C	*←

BEWARE OF BOGUS PARTS

Parts that do not meet specifications may cause trouble in regard to safety and performance. We recommend that genuine JVC parts be used.



MAIN BOARD ASSEMBLY <03>

REF. NO.	ITEM	MODEL	HR-S6855EK	HR-S6856EK	HR-S6857EK
PW1	MAIN BOARD ASSY		LPA10140-01B	*LPA10140-01C	*←
IC3001	IC(MCU)		HD6432194SBD11F	*HD6432194SBD04F	*←
B8	MG RESISTOR		—	*NRSA02J-0R0X	*←

Notes : Mark ← is same as left.
 Mark — is not used.
 Mark * reference model was also changed.

E. & O. E. No. 82890

(Sanwa)-V14S11/S12

JVC

VICTOR COMPANY OF JAPAN, LIMITED
 VIDEO DIVISION

S40894